

RSC-1100 PTZ Controller



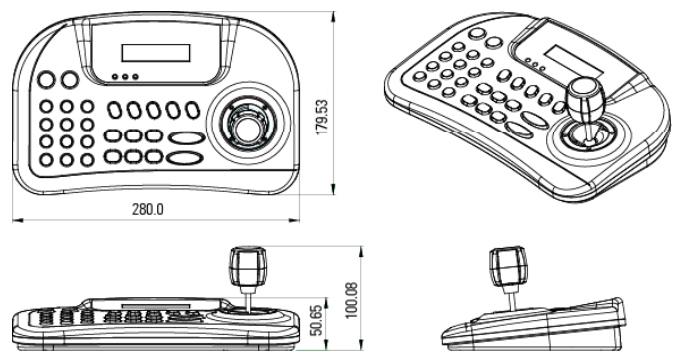
FEATURES

- Controls from 1 ~ 255 camera
- Multiple protocol supported in each channel
- RS-485 / RS-422 communication (Tx:3 port, Trx:1 port)
- Programmable user preferences (Preset, Tour, Pattern, etc)
- Built-in 3-Axis proportional joystick
- Easy upload programmed data via serial communication
- USB mouse function
- Built-in 2 lines character LCD
- User password support.
- Programmable transmission speed for each ID (2.4~57.6kbps)
- Operate with 9V battery
- DVR interface

SPECIFICATIONS

Model	RSC-1100
Keyboard Communication	Interface : RS-485 (Tx 3 port, Trx 1 port)
	Pan/Tilt operating distance : 4700 ft (1029m) No 24 AWG wire
	Multiple Protocol Support (Baud rate selectable)
	Terminal Block (8p connector)
Keyboard Keypad	Rubber button Numeric keypad and camera function key
Joystick	Proportional 3-Axis, variable speed with zoom
Input Voltage	12V DC or 9V battery (battery mode)
Power Consumption	Max. 140mA
LCD Display	2 lines character LCD
Operating Temperature	0° to 45°C
Humidity	10% ~ 70%RH
Certification	CE, FCC, RoHS
Dimensions / Weight	280(W) x 92(H) x 174(D) / 0.7kg

DIMENSIONS (mm)



CONFIGURATIONS

